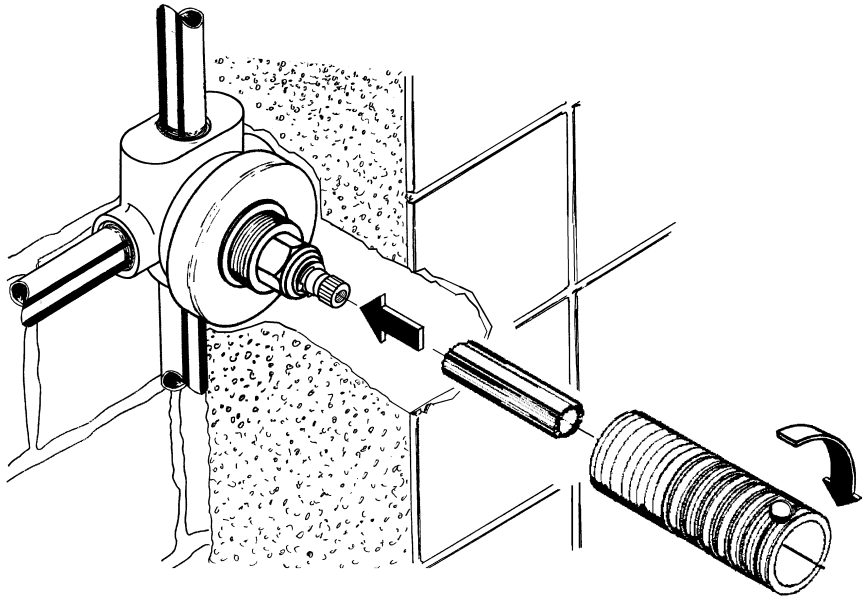
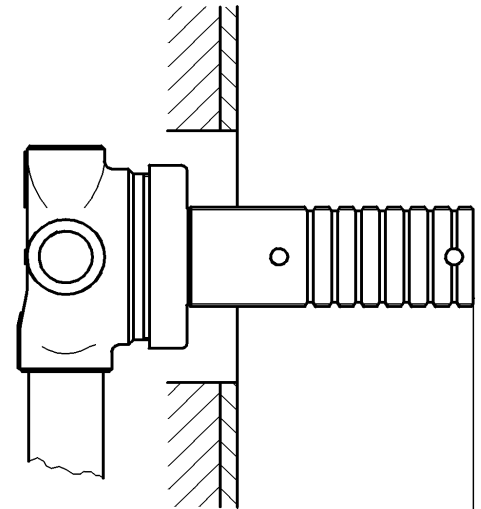


19 906 / 19 909

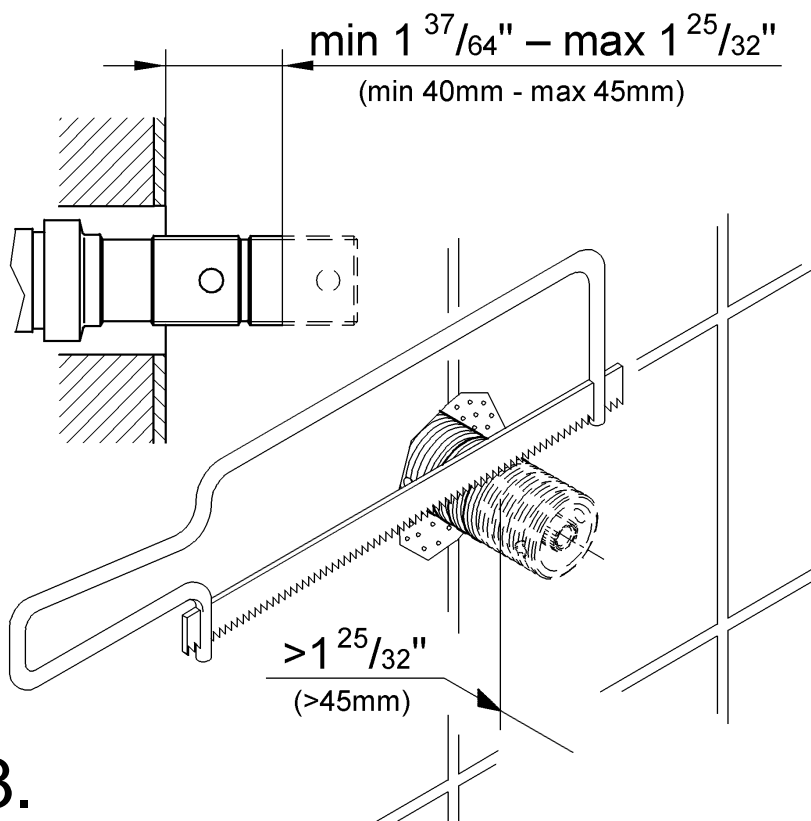


1.

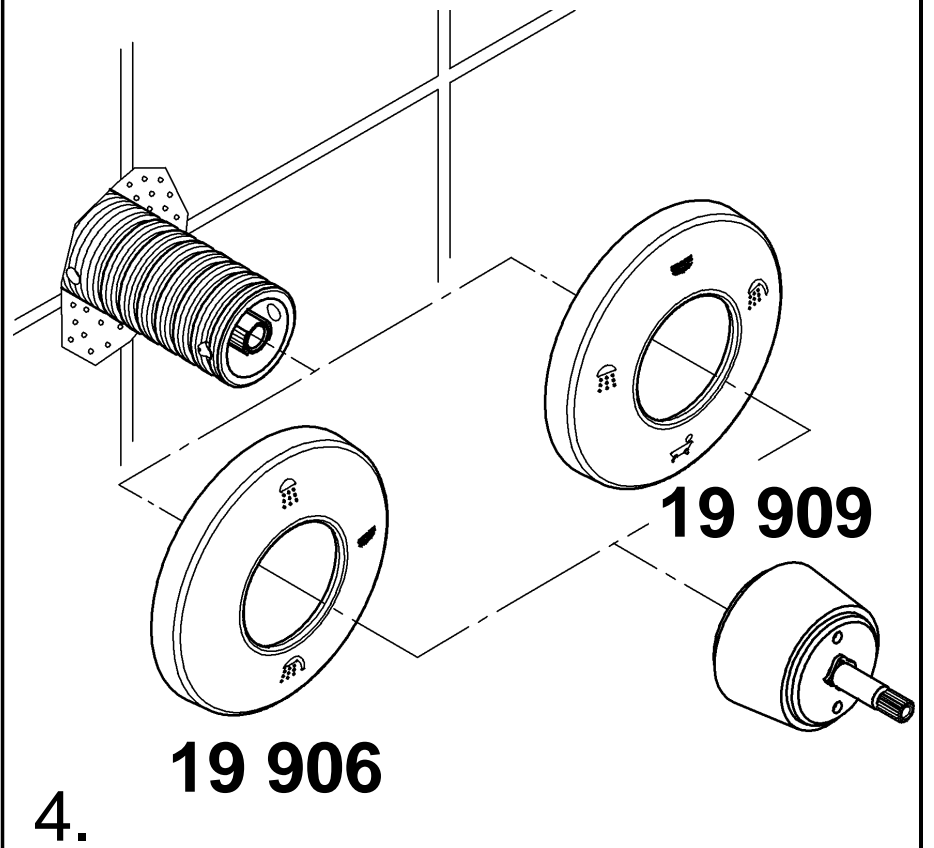


min $1 \frac{37}{64}$ " – max $1 \frac{25}{32}$ "
(min 40mm - max 45mm)

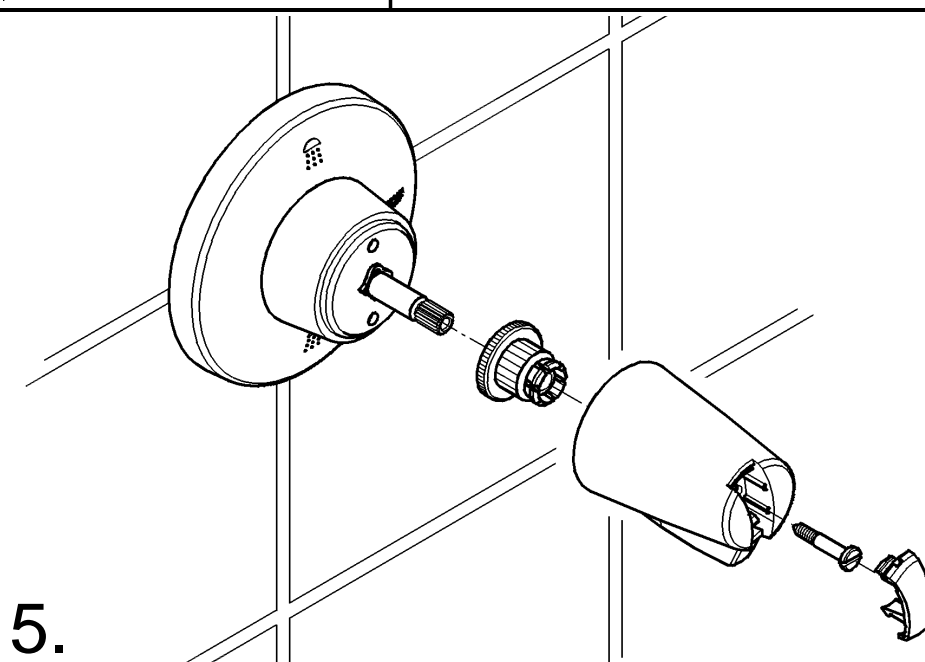
2.



3.

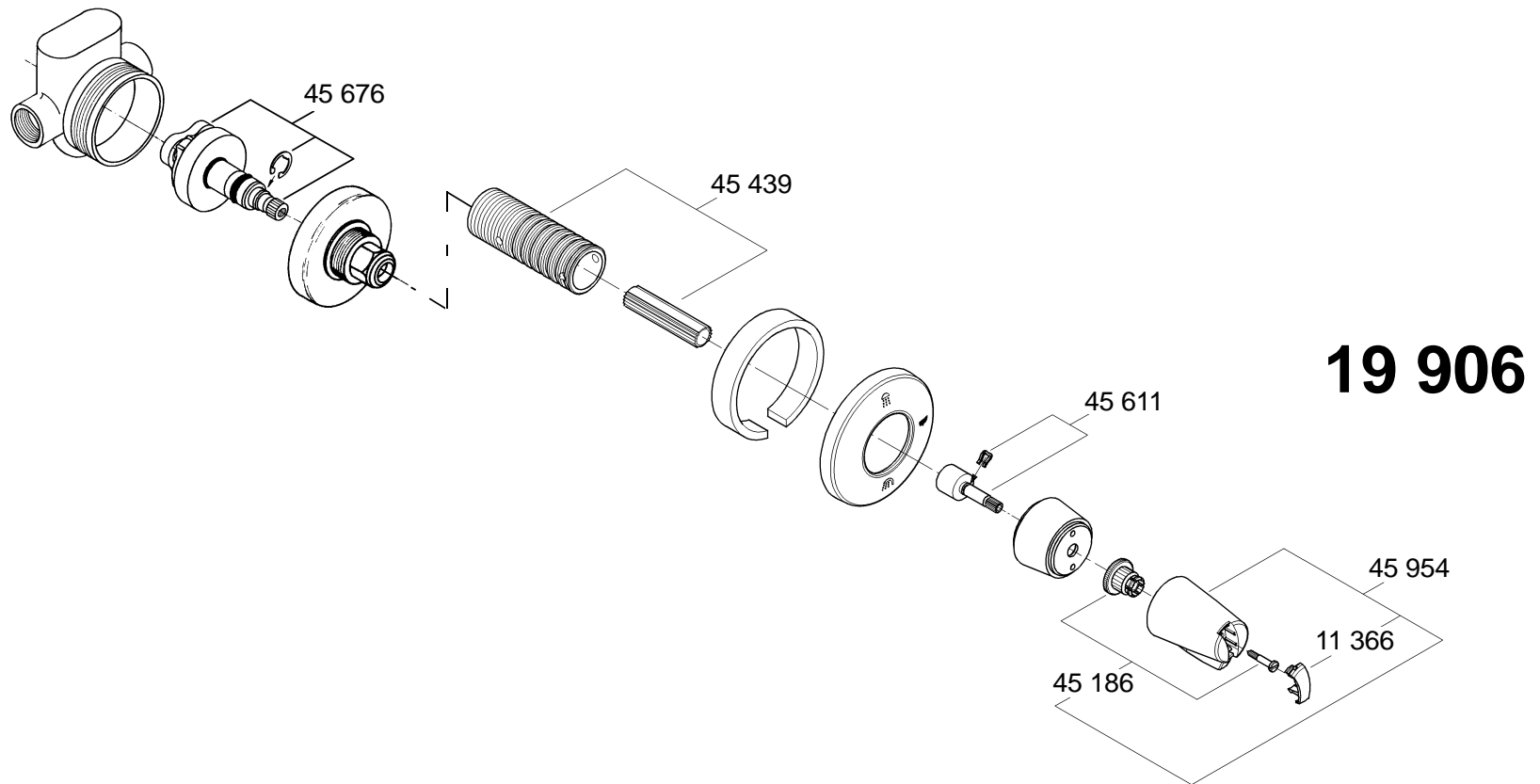


4.



5.

29 706
29 712



29 708
29 714

